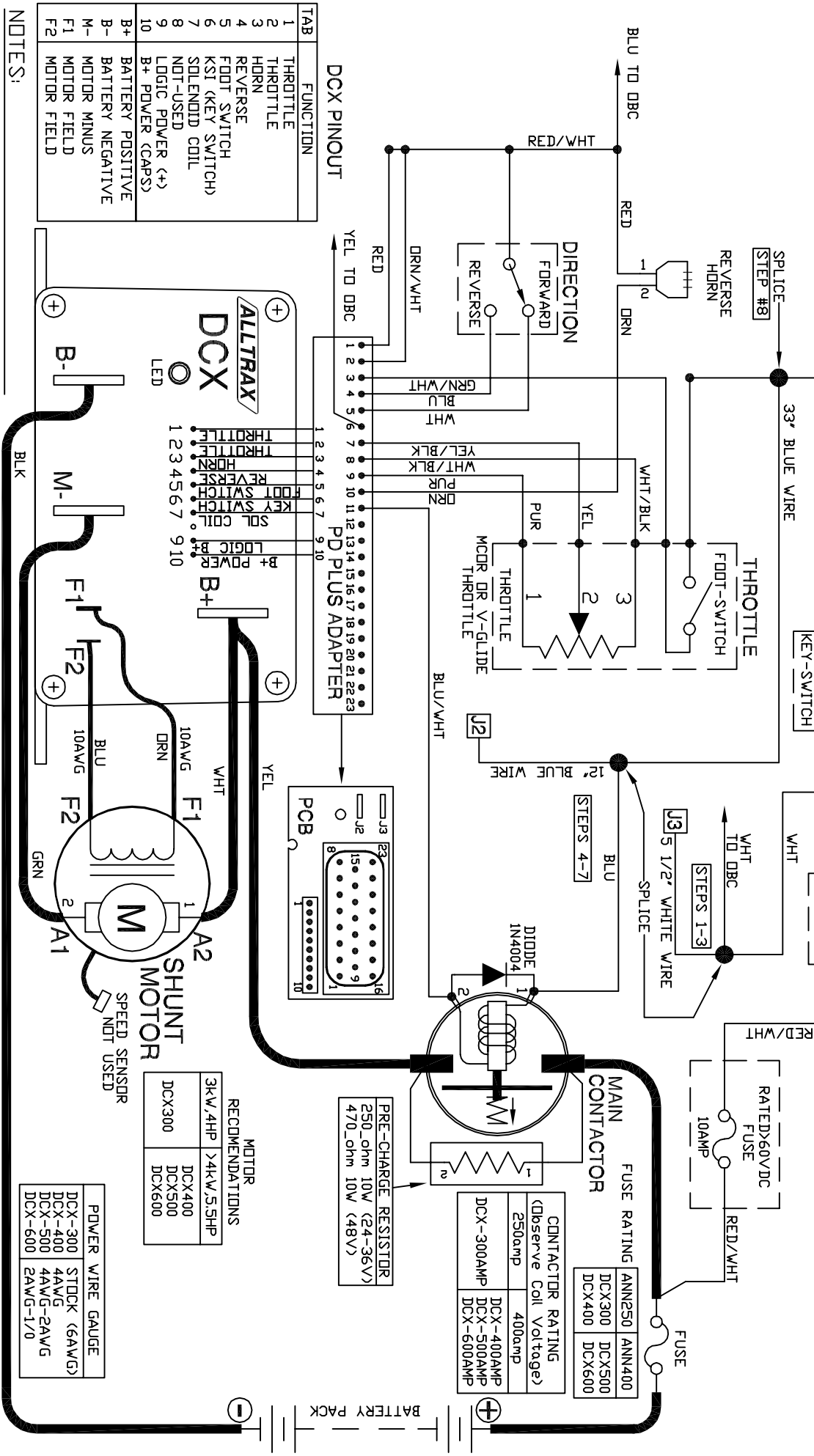


# DCX to CLUB CAR PD PLUS SHUNT (SEPARATELY EXCITED) WOUND MOTORS (DCX products)



TAB	FUNCTION
1	THROTTLE
2	THROTTLE
3	HORN
4	REVERSE
5	FOOT SWITCH
6	KSI (KEY SWITCH)
7	SOLENOID COIL
8	NOT-USED
9	LOGIC POWER (+)
10	B+ POWER (CAPS)

B+	BATTERY POSITIVE
B-	BATTERY NEGATIVE
M-	MOTOR MINUS
F1	MOTOR FIELD
F2	MOTOR FIELD

NOTES:

- \* FUSES REQUIRED FOR ALL INSTALLATIONS
- \* DIODE REQUIRED ACROSS COILS / RELAYS
- \* TOW/RUN SWITCH PREVENTS REGEN WHILE TOWING
- > ASSUMES FOOTSWITCH IS OPEN WHEN THROTTLE OFF WITHOUT NOTICE
- > ALLTRAX MAKES NO WARRANTY AS TO THE ACCURACY, SUFFICIENCY, OR SUITABILITY OF ANY TECHNICAL OR OTHER INFORMATION PROVIDED
- > SEE OPERATORS MANUAL FOR MORE INFORMATION

\* REFER TO DDC100-042-B FOR INSTALLATION INSTRUCTIONS

MOTOR RECOMMENDATIONS

3Kw/4HP	DCX400
>4Kw/5.5HP	DCX500
	DCX600

POWER WIRE GAUGE

DCX-300	STDC (6AWG)
DCX-400	4AWG
DCX-500	4AWG-2AWG
DCX-600	2AWG-1/0

FUSE RATING

ANN250	ANN400
DCX300	DCX500
DCX400	DCX600

CONTACTOR RATING (observe coil voltage)

250amp	400amp
DCX-300AMP	DCX-400AMP
	DCX-500AMP
	DCX-600AMP

PRE-CHARGE RESISTOR  
250-ohm 10W (24-36V)  
470-ohm 10W (48V)

REVISIONS

REV.	ECO.	DATE	APVD
A	090407	090407	TT

DWG SCALE: NTS

DRAWN	R. GSUK	3/27/07
ENGR	D.Crockett	121406

**ALLTRAX**  
1111 Cheney Creek Rd.  
Grants Pass, OR 97527  
PHONE:(541) 478-5865

DCX to CLUB CAR PD PLUS  
Wiring Dia

FILE:	SIZE	DOCUMENT NO.	REV.
JMG-dcx-clubcar-pd-plus-wiring-dia	A	Doc100-065	A